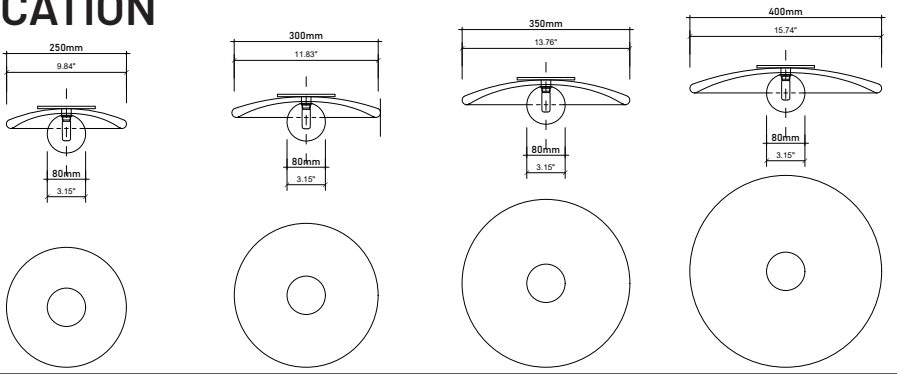


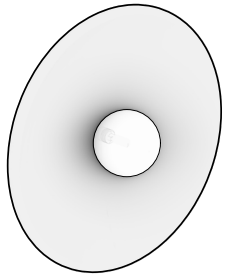
SPECIFICATION



DWG

PRODUCT NO

AL02



Aureole Sconce - Alabaster Globe

Type:	Wall Sconce
Globe type:	LED strips
Voltage:	110V-220V compatible
Wattage:	3-6W
Environment:	Indoor
Installation:	Hard Wired Wall Sconce

Handcrafted with a radiant alabaster plate backlit by soft LEDs and centered by a bold natural marble medallion, this fixture celebrates earth's raw elegance.

When lit, the alabaster glows like petrified moonlight, revealing organic veins, while the marble centerpiece commands attention as a sculptural focal point.

Voltage: 110V-220V compatible
intergated LED strip

Installation: Hardwired;
professional mounting advised
for secure placement.

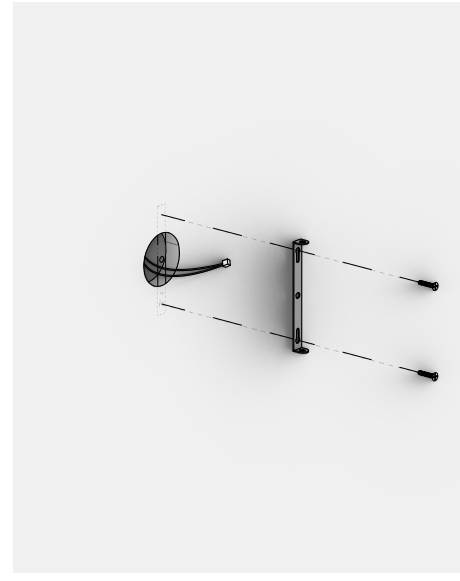
Features
Handcrafted Uniqueness: Each marble is hand-selected for its veining - no two sconces are alike.

Sealed Stone: Treated with a non-toxic sealant to protect against dust and moisture.

Care Instructions
Marble Base: Wipe gently with a dry microfiber cloth; avoid water or chemicals.

INSTALLATION

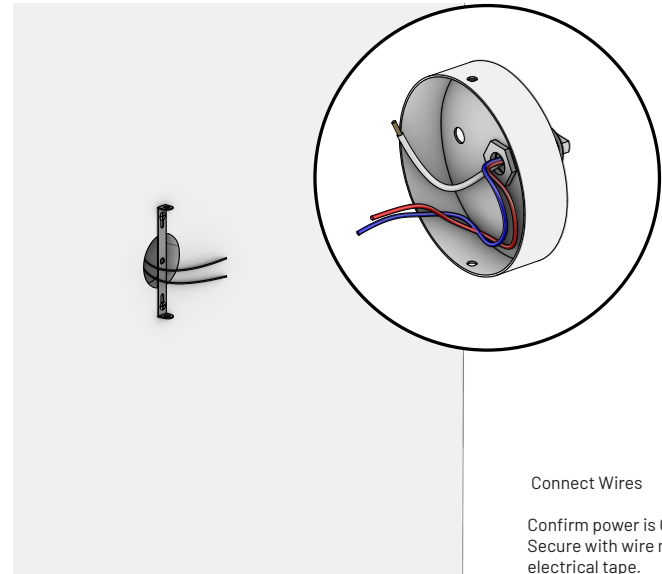
STEP 1



Locate & Mark

Mount the Metal Backplate (Fig. 1): Position the metal mounting plate on the wall and mark the hole locations. Secure the plate firmly to the wall using screws. (Note: Hole positions may vary depending on the specific light combination you purchased.)

STEP 2

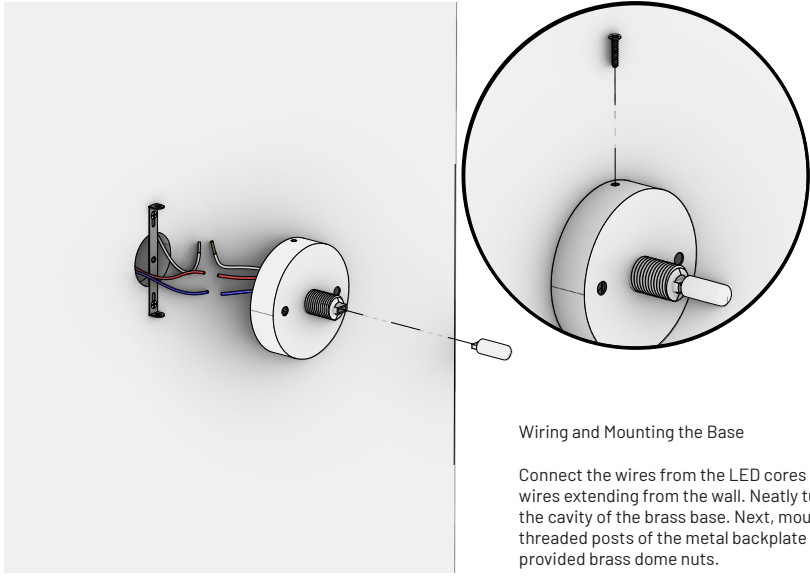


Connect Wires

Confirm power is OFF
Secure with wire nuts or terminal blocks. Wrap connections with electrical tape.

INSTALLATION

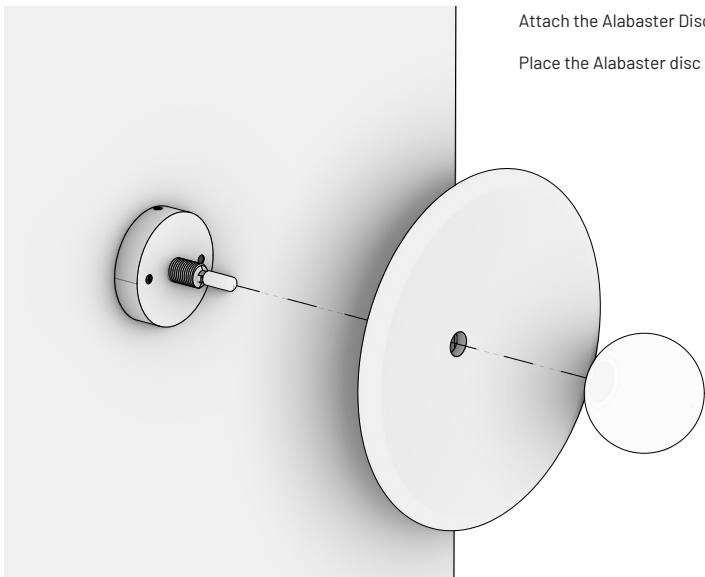
STEP 3



Wiring and Mounting the Base

Connect the wires from the LED cores to the main power supply wires extending from the wall. Neatly tuck the connected wires inside the cavity of the brass base. Next, mount the brass base onto the threaded posts of the metal backplate and secure it tightly using the provided brass dome nuts.

STEP 4

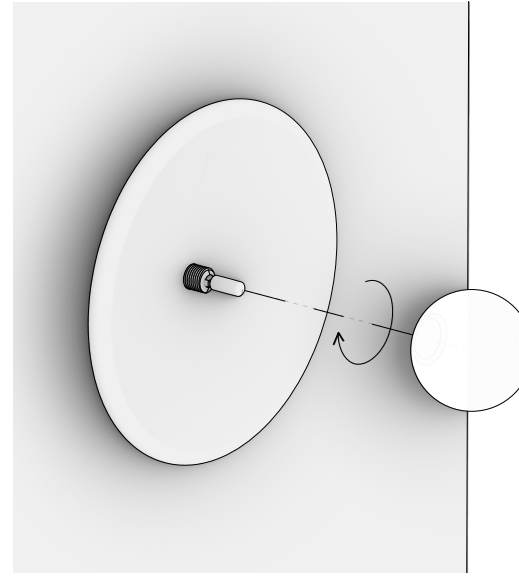


Attach the Alabaster Disc

Place the Alabaster disc over the threaded post.

INSTALLATION

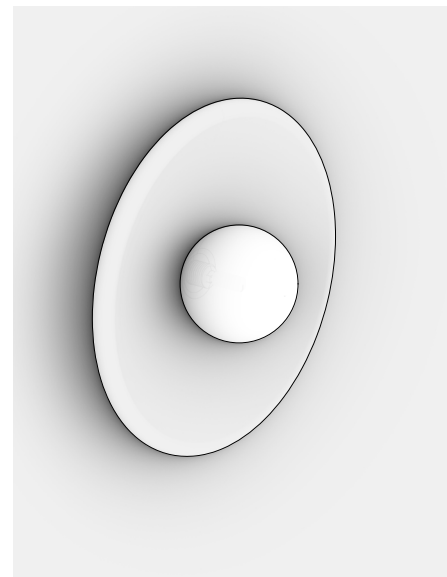
STEP 5



Attach the Spherical Alabaster lampshade

Finally, screw on the lampshade to secure the disc piece in place and complete the installation.

STEP 6



Restore Power & Inspect

Turn power back on at the breaker. Test the light. Check for flickering, unusual sounds, or heat. If issues occur, immediately turn off power, recheck connections.