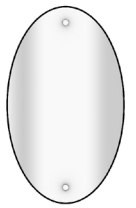


SPECIFICATION

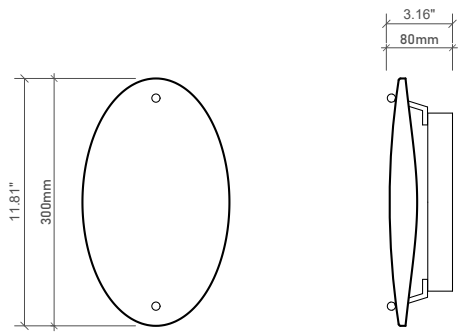
DWG

PRODUCT NO

ML09



Halo Oval Sconce



Type:	Sconce
Globe type:	LED strips
Voltage:	110V-220V compatible
Wattage:	5W
Environment:	Indoor
Installation:	Hard Wired Sconce

Design Highlights:

Material: A striking slab of natural Calacatta Gold marble, showcasing bold, organic veins and a polished finish. Each slab is hand-selected for its unique character.

Perfect For: Modern, Scandinavian, or eclectic interiors craving organic texture. Highlighting gallery walls, staircases, or bedside niches. Designers and homeowners seeking statement lighting that doubles as wall art.

Care & Customization
Cleaning: Wipe marble with a dry microfiber cloth; polish brass with a soft cloth.

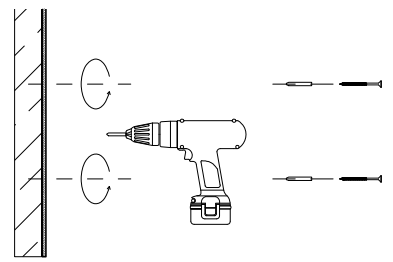
Installation & Care:

Weight-Bearing: Due to the marble's natural heft, ensure walls are reinforced or sturdy (e.g., concrete, solid wood).

Transform your walls into a canvas of light and stone—crafted to mesmerize.

INSTALLATION

STEP 1



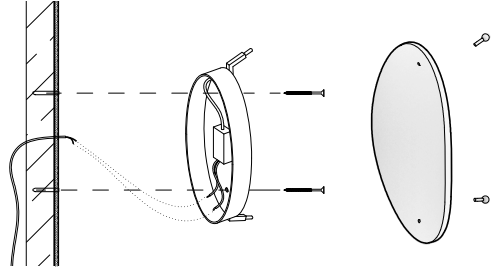
Locate & Mark

- Hold the hanging base against the wall at the desired height.
- Use a level to ensure it's straight, then mark screw hole positions.
- Verify no electrical wires/pipes are behind marked spots

Drill & Secure

- Drill holes at marked points using a masonry bit (for concrete/brick) or wood bit (for studs).
- Insert wall plugs (expansion anchors) if needed.
- Align the hanging base with holes and fasten using screws. Ensure it's firmly attached

STEP 2

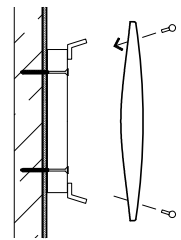


Connect Wires

Important:
 Confirm power is OFF

- Feed home wiring through the base's center opening.
- Secure with wire nuts or terminal blocks. Wrap connections with electrical tape.
- Tuck wires neatly into the electrical box.

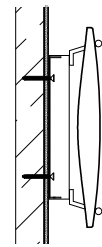
STEP 3



Attach the Light

- Align the lamp body with the mounted base.
- Install the bulb(s) into the socket
- Use only the recommended bulb type and wattage
- Secure the lampshade using its locking mechanism

STEP 4



Restore Power & Inspect

- Turn power back on at the breaker.
- Test the light. Check for flickering, unusual sounds, or heat.
- If issues occur, immediately turn off power and recheck connections.