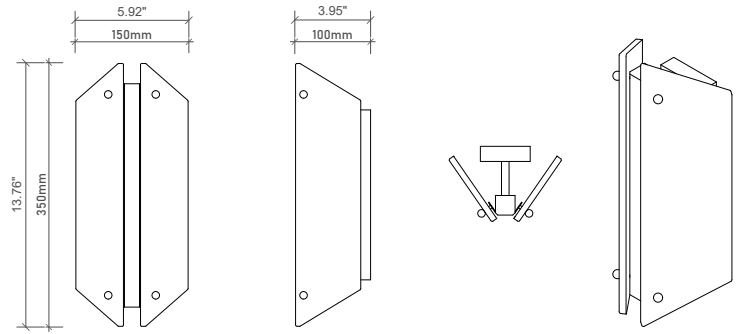


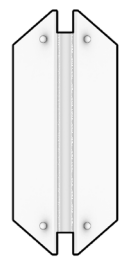
# SPECIFICATION



DWG

PRODUCT NO

# ML10



# Valva Sconce

Type:	Wall Sconce
Globe type:	LED strips
Voltage:	110V-220V compatible
Wattage:	3-6W
Environment:	Indoor
Installation:	Hard Wired Wall Sconce

**Design Highlights**

**Architectural Geometry:** Each trapezoidal stone panel angles to form a triangular prism, creating dynamic lines that shift with perspective.

**Hidden LED strips** embedded behind the panels illuminate both stones simultaneously, blending their textures into a harmonious glow.

**Technical Specs:**

Dimensions: 35cm x 15cm x 10cm

Light Source: Energy-efficient LED strips

Material: Natural onyx or alabaster panels, brass metal base.

**Installation:** Hardwired (110V-220V compatible) with included mounting kit. Professional installation recommended.

**Weight:** 22 lbs (10 kg) - Ensure wall reinforcement for secure mounting.

**Care & Customization:** Cleaning: Dust stones with a dry microfiber cloth; polish brass with a gentle metal cleaner.

# INSTALLATION

**STEP 1**

**Locate & Mark**

- Hold the hanging base against the wall at the desired height.
- Use a level to ensure it's straight, then mark screw hole positions.
- Verify no electrical wires/pipes are behind marked spots

**Drill & Secure**

- Drill holes at marked points using a masonry bit (for concrete/brick) or wood bit (for studs).
- Insert wall plugs (expansion anchors) if needed.
- Align the hanging base with holes and fasten using screws. Ensure it's firmly attached

**STEP 2**

**Connect Wires**

- Important: Confirm power is OFF
- Feed home wiring through the base's center opening.
- Secure with wire nuts or terminal blocks. Wrap connections with electrical tape.
- Tuck wires neatly into the electrical box.

**STEP 3**

**Attach the Light**

- Align the lamp body with the mounted base.
- Install the bulb(s) into the socket
- Use only the recommended bulb type and wattage
- Secure the lampshade using its locking mechanism

**STEP 4**

**Restore Power & Inspect**

- Turn power back on at the breaker.
- Test the light. Check for flickering, unusual sounds, or heat.
- If issues occur, immediately turn off power and recheck connections.