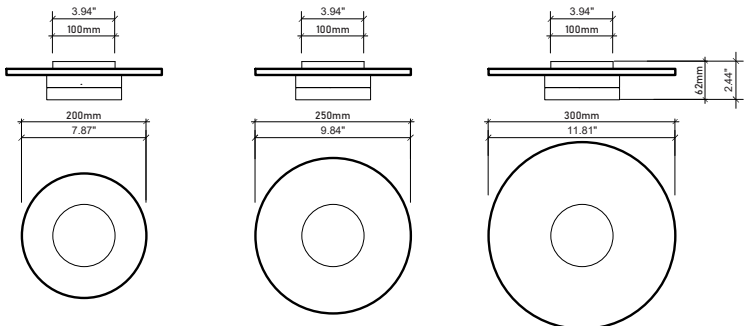


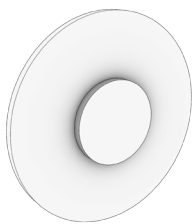
SPECIFICATION



DWG

PRODUCT NO

ML17



Luminous Alabaster Wall Sconce

Type:	Wall Sconce
Globe type:	LED strips
Voltage:	110V-220V compatible
Wattage:	3-6W
Environment:	Indoor
Installation:	Hard Wired Wall Sconce

Handcrafted with a radiant alabaster plate backlit by soft LEDs and centered by a bold natural marble medallion, this fixture celebrates earth's raw elegance.

When lit, the alabaster glows like petrified moonlight, revealing organic veins, while the marble centerpiece commands attention as a sculptural focal point.

Voltage: 110V-220V compatible
intergated LED strip

Installation: Hardwired;
professional mounting advised
for secure placement.

Features
Handcrafted Uniqueness: Each marble is hand-selected for its veining - no two sconces are alike.

Care Instructions
Marble Base: Wipe gently with a dry microfiber cloth; avoid water or chemicals.

Sealed Stone: Treated with a non-toxic sealant to protect against dust and moisture.

INSTALLATION

