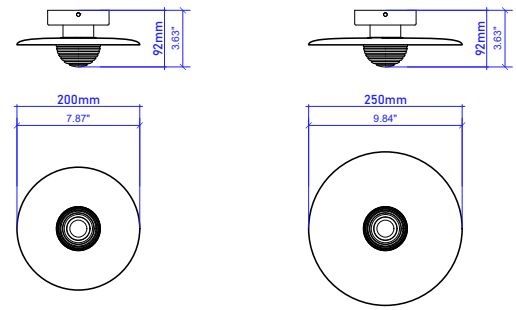


SPECIFICATION



DWG

PRODUCT NO

ML20



Terrain Canvas - Double Marble Light with Brass Dome

Type:	Wall Sconce
Globe type:	LED strips
Voltage:	110V-220V compatible
Wattage:	3-6W
Environment:	Indoor
Installation:	Hard Wired Wall Sconce

The Design
A harmonious dialogue between earth and metal: a substantial natural marble disk (20cm diameter) anchors this luminous art piece, crowned by a lustrous brass or chrome semi-sphere that captures and reflects light like liquid gold or molten silver. Hand-assembled for discerning spaces seeking tactile sophistication.

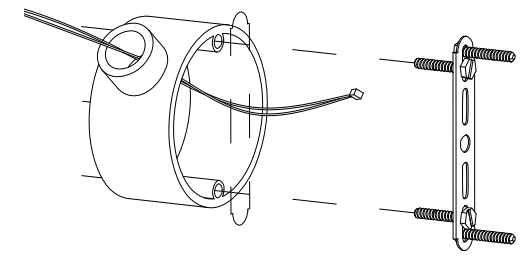
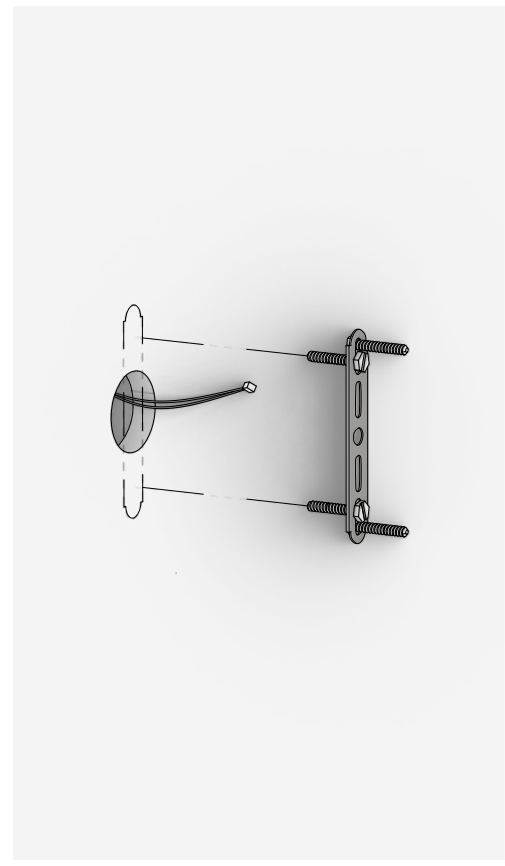
Features
Handcrafted Uniqueness: Each marble is hand-selected for its veining - no two sconces are alike.
Sealed Stone: Treated with a non-toxic sealant to protect against dust and moisture.

Care Instructions
Marble Base: Wipe gently with a dry microfiber cloth; avoid water or chemicals.

Voltage: 110V-220V compatible.
Installation: Hardwired; professional mounting advised for secure placement.

INSTALLATION

STEP 1

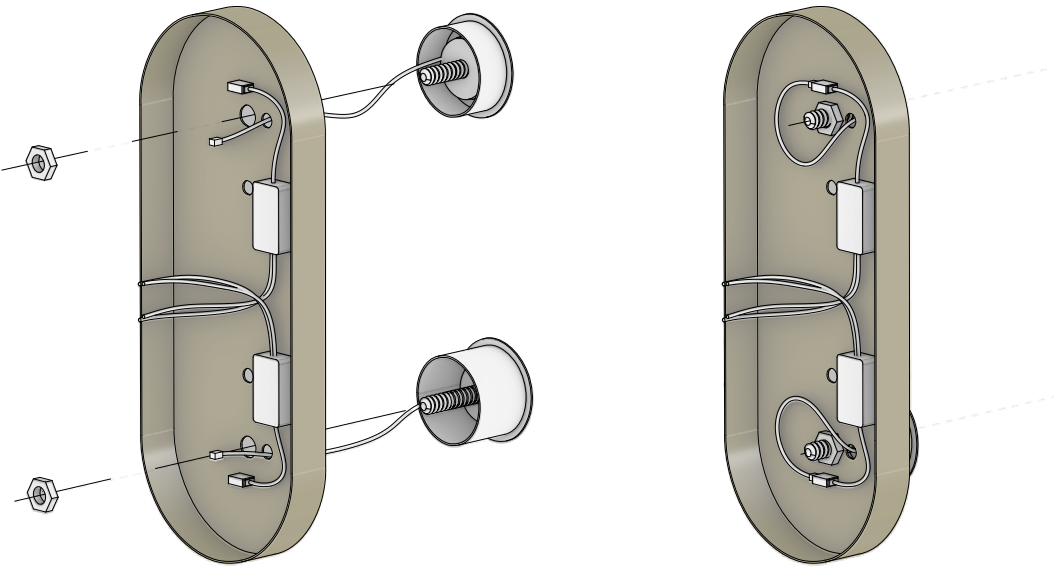


Locate & Mark

Mount the Metal Backplate (Fig. 1): Position the metal mounting plate on the wall and mark the hole locations. Secure the plate firmly to the wall using screws. (Note: Hole positions may vary depending on the specific light combination you purchased.)

SPECIFICATION

STEP 2

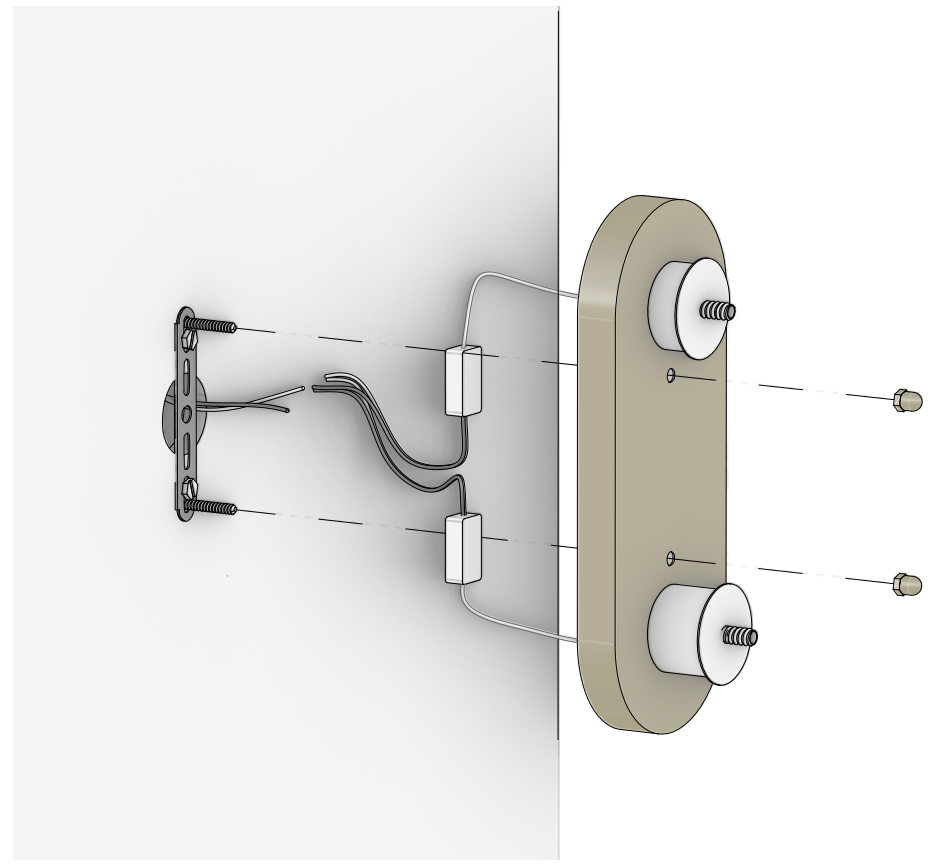


Assemble the LED Cores

Insert the LED cores through the pre-drilled holes on the brass base and secure them from the inside using the provided nuts.

INSTALLATION

STEP 3

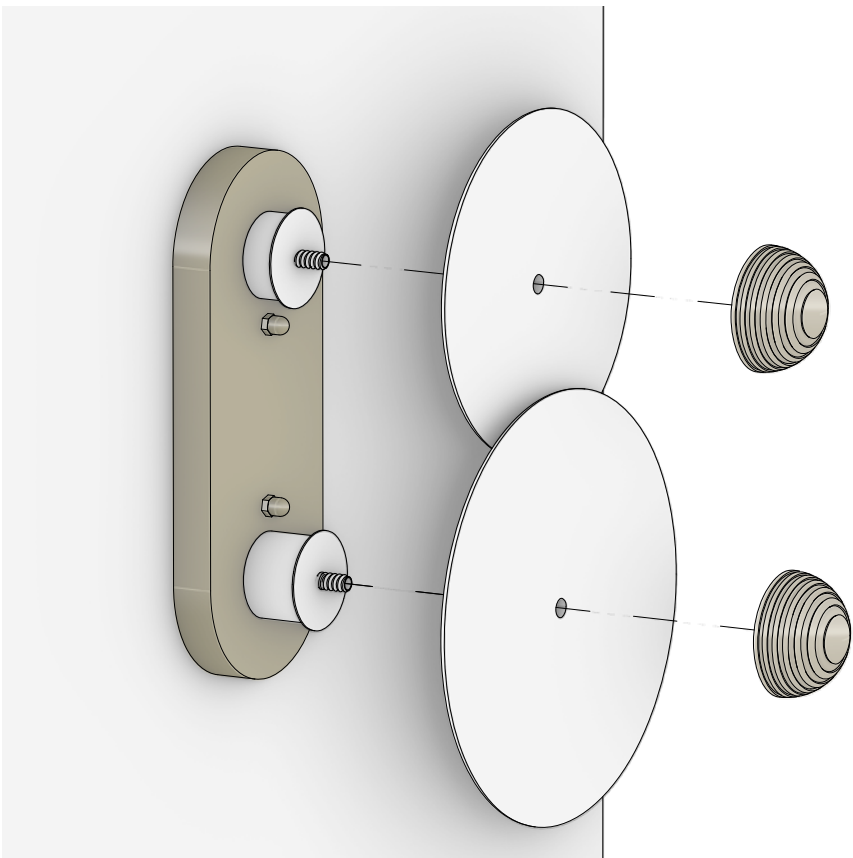


Wiring and Mounting the Base

Confirm power is OFF. Connect the wires from the LED cores to the main power supply wires extending from the wall. Neatly tuck the connected wires inside the cavity of the brass base. Next, mount the brass base onto the threaded posts of the metal backplate and secure it tightly using the provided brass dome nuts.

SPECIFICATION

STEP 2

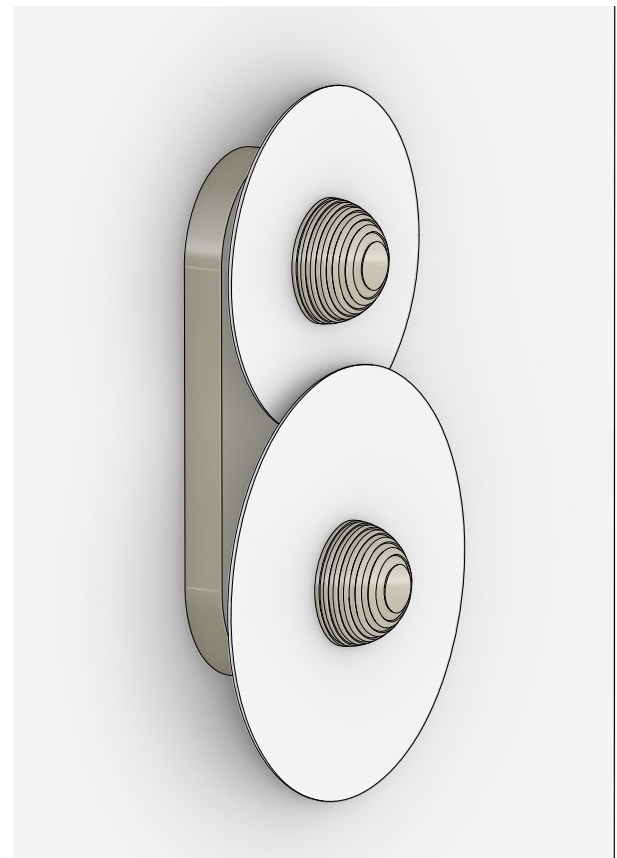


Attach the Marble Discs and Domes

Place the two marble discs over the threaded posts of the LED cores one by one. Finally, screw on the brass dome caps to secure the marble pieces in place and complete the installation.

INSTALLATION

STEP 3



Restore Power & Inspect

- Turn power back on at the breaker.
- Test the light. Check for flickering, unusual sounds, or heat.
- If issues occur, immediately turn off power, recheck connections.