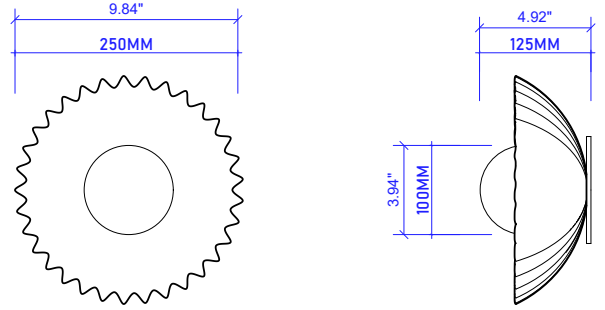


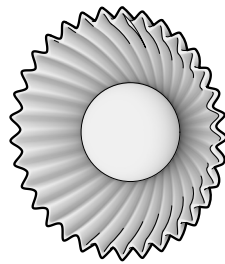
SPECIFICATION



DWG

PRODUCT NO

ML23



Echinus Sconce

Type:	Wall Sconce
Globe type:	G9 LED
Voltage:	110V-220V compatible
Wattage:	5W
Environment:	Indoor
Installation:	Hard Wired Wall Sconce

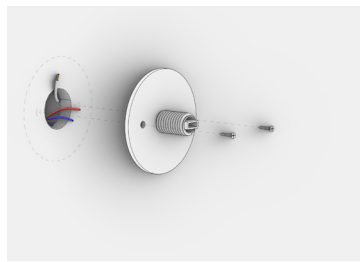
Design Narrative
 Inspired by the organic ruffled edges of artisan marble bowls, this wall sconce reimagines stone's fluidity in illuminated form. A hand-carved marble base, echoing the sculptural folds of nature's petals, cradles a frosted glass globe or semi-translucent alabaster orb, casting a soft glow. Each piece celebrates the dialogue between raw texture and refined light—perfect for spaces where art and function intertwine.

Globe Options:
 Frosted Glass Globe: Diffuses light into a soft, even haze (modern simplicity).
 Alabaster Orb: Reveals organic veins and clouds when lit (ancient luminosity).

Dimensions & Specifications
 Travertine Base: 9.8" diameter (25 cm).
 Frosted Globe: 4" diameter (10 cm) – easily removable for bulb changes.
 Bulb: 1 G9 LED.
 Voltage: 110V-220V compatible.
 Installation: Hardwired; professional mounting advised for secure placement.

INSTALLATION

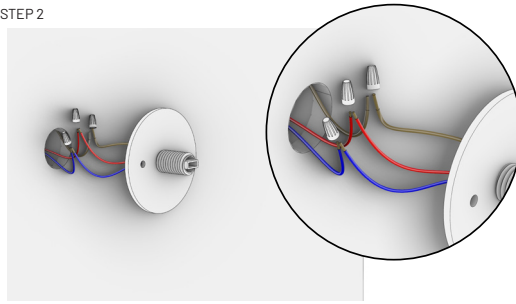
STEP 1



- Locate & Mark**
- Hold the hanging base against the wall at the desired height.
 - Use a level to ensure it's straight, then mark screw hole positions.
 - Verify no electrical wires/pipes are behind marked spots

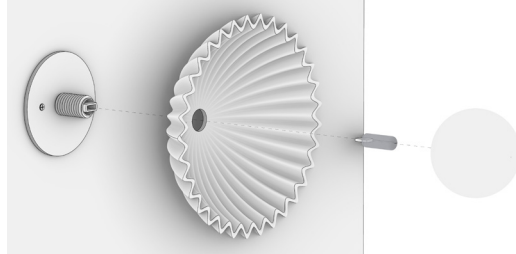
- Drill & Secure**
- Drill holes at marked points using a masonry bit (for concrete/brick) or wood bit (for studs).
 - Insert wall plugs (expansion anchors) if needed.
 - Align the hanging base with holes and fasten using screws. Ensure it's firmly attached

STEP 2



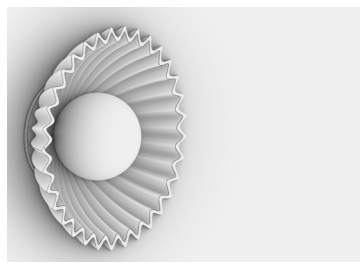
- Connect Wires**
- Important: Confirm power is OFF
 - Feed home wiring through the base's center opening.
 - Secure with wire nuts or terminal blocks. Wrap connections with electrical tape.
 - Tuck wires neatly into the electrical box.

STEP 3



- Attach the Light**
- Align the lamp body with the mounted base.
 - Install the bulb(s) into the socket
 - Use only the recommended bulb type and wattage
 - Secure the lampshade using its locking mechanism

STEP 4



- Restore Power & Inspect**
- Turn power back on at the breaker.
 - Test the light. Check for flickering, unusual sounds, or heat.
 - If issues occur, immediately turn off power and recheck connections.