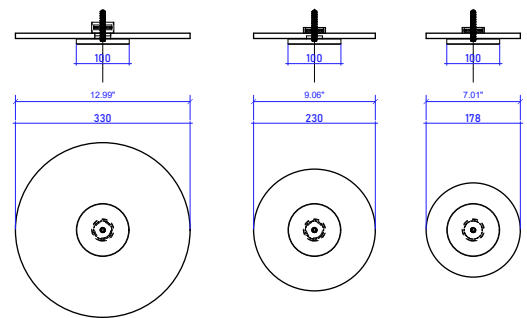


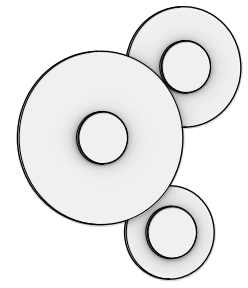
SPECIFICATION



DWG

PRODUCT NO

ML28



Alabaster Wall Sconce Trio

Type:	Wall Lamp
Bulb:	1 G9 LED
Voltage:	110V-220V compatible
Environment:	Indoor
Installation:	Hard Wired Wall Sconce
Environment:	Indoor

Design Features

Balanced Proportions – Create visual rhythm with a coordinated cluster or space them for subtle repetition.

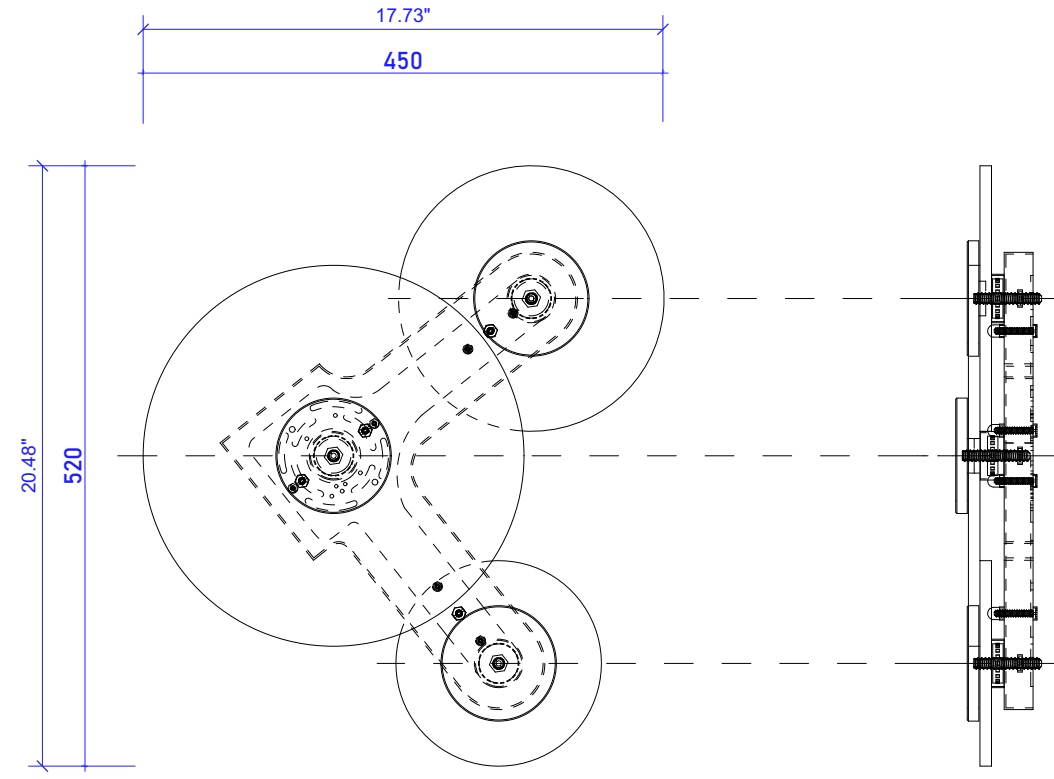
Versatile Marble Choices: Alabaster base with Calacatta Viola –each meticulously selected for its unique veining.

Easy Install: Crafted for clean hardwiring with an offset junction box—appearance and practicality thoughtfully integrated.

Care
Wipe gently with a dry microfiber cloth. Ensure solid backing for installation. Compatible with 110–240 V.

Note
Due to the stone’s weight, ensure walls are reinforced (e.g., studs, concrete).

SPECIFICATION



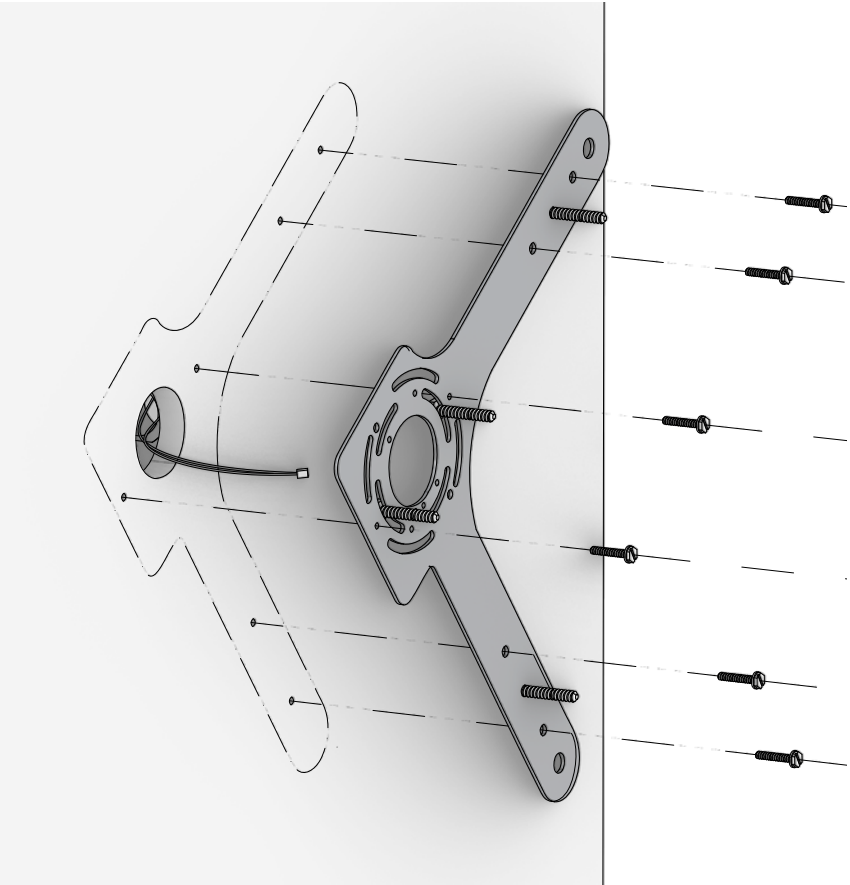
DWG

INSTALLATION

STEP 1

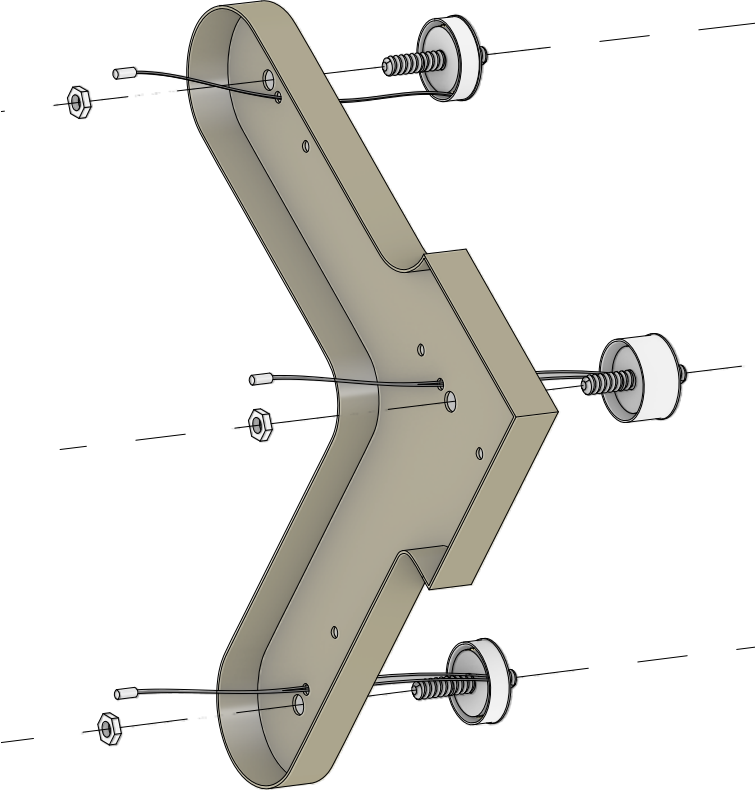
Locate & Mark

Mount the Metal Backplate (Fig. 1):
Position the metal mounting plate on the wall and mark the hole locations. Secure the plate firmly to the wall using screws. (Note: Hole positions may vary depending on the specific light combination you purchased.)



INSTALLATION

STEP 2



Assemble the LED Cores

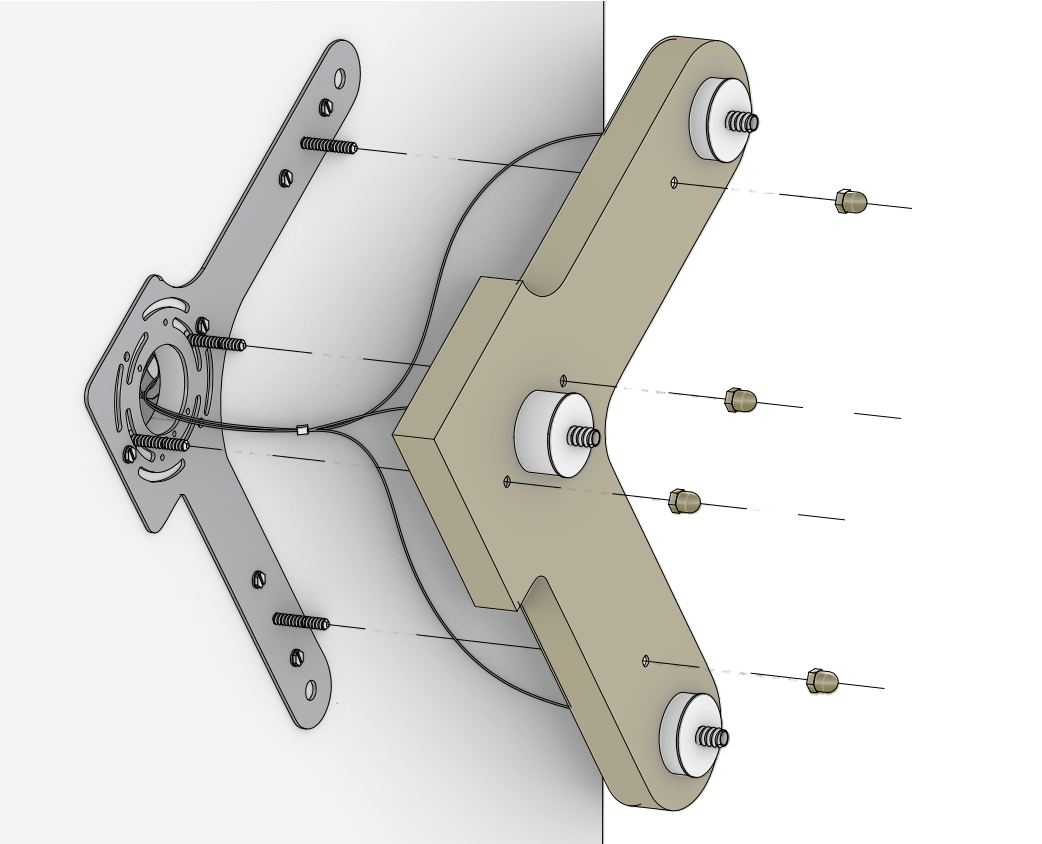
Insert the LED cores through the pre-drilled holes on the brass base and secure them from the inside using the provided nuts.

INSTALLATION

STEP 3

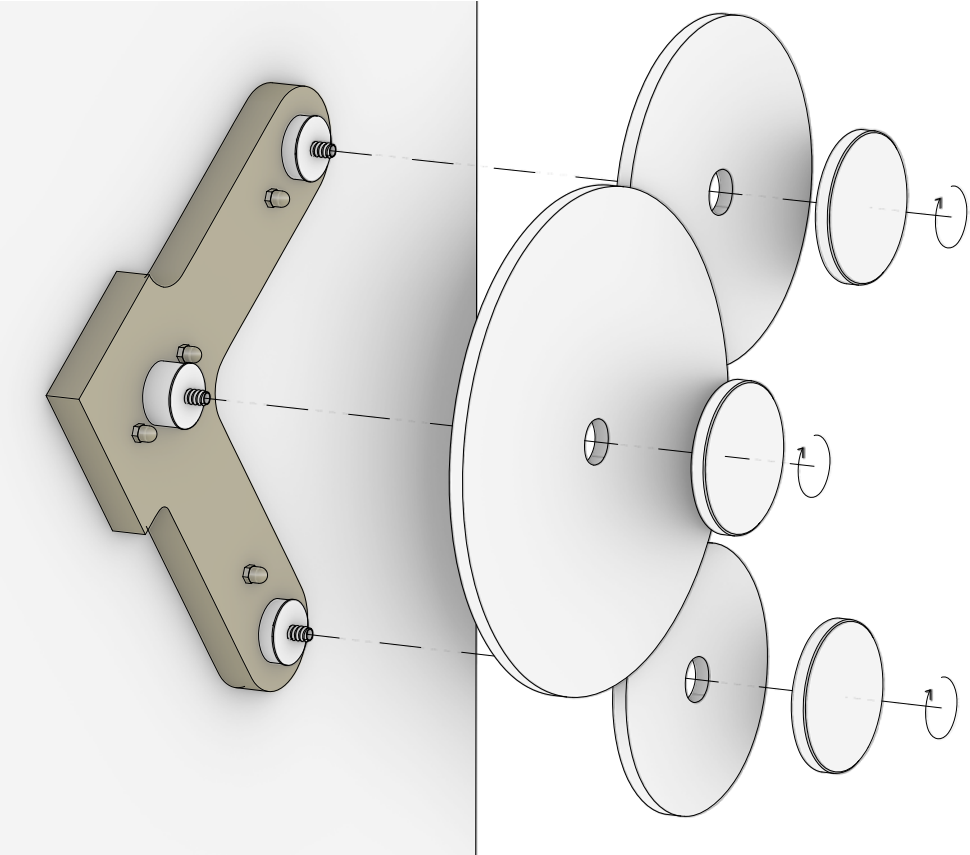
Wiring and Mounting the Base

Confirm power is OFF. Connect the wires from the LED cores to the main power supply wires extending from the wall. Neatly tuck the connected wires inside the cavity of the brass base. Next, mount the brass base onto the threaded posts of the metal backplate and secure it tightly using the provided brass dome nuts.



INSTALLATION

STEP 4



Attach the Marble Discs and Domes

Place the two marble discs over the threaded posts of the LED cores one by one. Finally, screw on the brass dome caps to secure the marble pieces in place and complete the installation.

Restore Power & Inspect

Turn power back on at the breaker.
Test the light. Check for flickering, unusual sounds, or heat.
If issues occur, immediately turn off power, recheck connections.