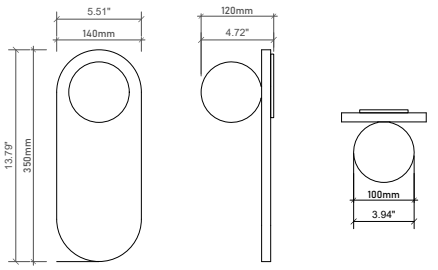


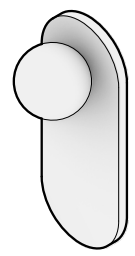
SPECIFICATION



DWG

PRODUCT NO

ML33



Marlowe Elong Sconce

Type:	Wall Sconce
Globe type:	G9 LED
Voltage:	110V-220V compatible
Wattage:	5W
Environment:	Indoor
Installation:	Hard Wired Wall Sconce

Design Highlights

Structure: Sleek Marble base paired with a frosted glass globe for soft, glare-free illumination.

Lighting Effect: The frosted globe emits a warm, ambient glow, while the Marble base glows subtly when backlit, showcasing its veins.

Style: Mid-century modern minimalism meets organic texture - ideal for coastal, Scandinavian, or contemporary interiors.

Dimensions & Specifications

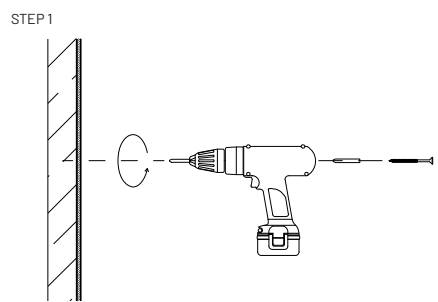
Frosted Globe: 4" diameter (10 cm) - easily removable for bulb changes.

Bulb: 1 G9 LED.

Voltage: 110V-220V compatible.

Installation: Hardwired; professional mounting advised for secure placement.

INSTALLATION

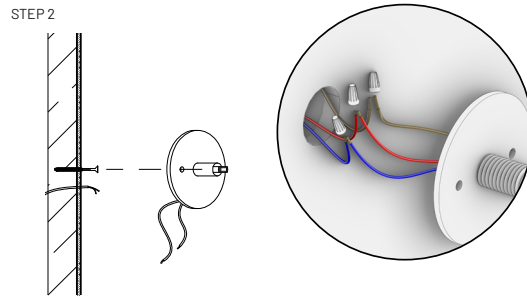


Locate & Mark

- Hold the hanging base against the wall at the desired height.
- Use a level to ensure it's straight, then mark screw hole positions.
- Verify no electrical wires/pipes are behind marked spots

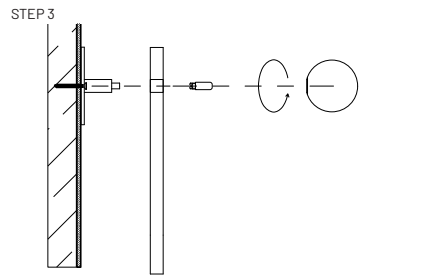
Drill & Secure

- Drill holes at marked points using a masonry bit (for concrete/brick) or wood bit (for studs).
- Insert wall plugs (expansion anchors) if needed.
- Align the hanging base with holes and fasten using screws. Ensure it's firmly attached



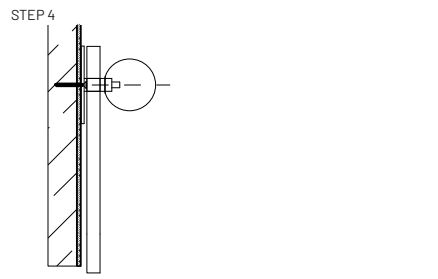
Connect Wires

- Important: Confirm power is OFF
- Feed home wiring through the base's center opening.
- Secure with wire nuts or terminal blocks. Wrap connections with electrical tape.
- Tuck wires neatly into the electrical box.



Attach the Light

- Align the lamp body with the mounted base.
- Install the bulb(s) into the socket
- Use only the recommended bulb type and wattage
- Secure the lampshade using its locking mechanism



Restore Power & Inspect

- Turn power back on at the breaker.
- Test the light. Check for flickering, unusual sounds, or heat.
- If issues occur, immediately turn off power and recheck connections.