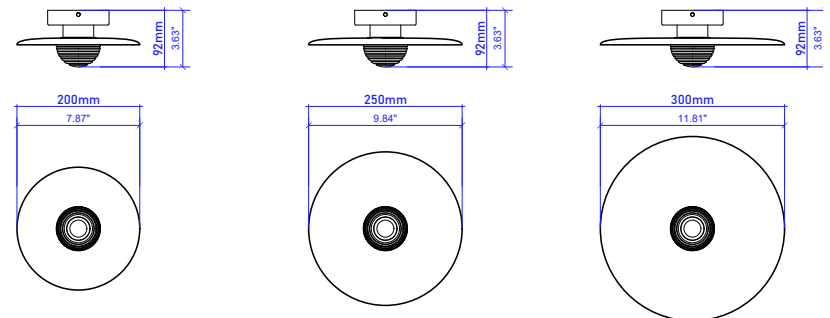


SPECIFICATION



DWG

PRODUCT NO

ML18



Terrain Canvas Onyx Disk & Dome Wall Light

Type:	Wall Sconce
Globe type:	LED strips
Voltage:	110V-220V compatible
Wattage:	3-6W
Environment:	Indoor
Installation:	Hard Wired Wall Sconce

The Design
A harmonious dialogue between earth and metal: a substantial natural marble disk anchors this luminous art piece, crowned by a lustrous brass or chrome semi-sphere that captures and reflects light like liquid gold or molten silver. Hand-assembled for discerning spaces seeking tactile sophistication.

Sealed Stone:
Treated with a non-toxic sealant to protect against dust and moisture.

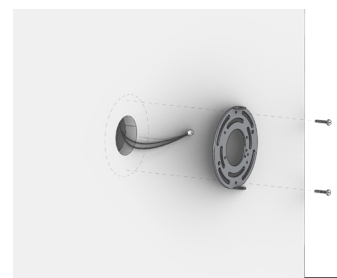
Care Instructions
Marble Base: Wipe gently with a dry microfiber cloth; avoid water or chemicals.

Note
Due to the stone's weight, ensure walls are reinforced (e.g., studs, concrete).

Features
Handcrafted Uniqueness: Each marble is hand-selected for its veining - no two sconces are alike.

INSTALLATION

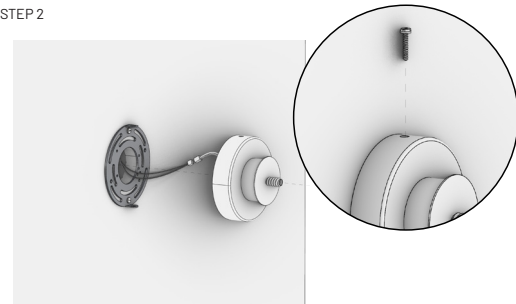
STEP 1



- Locate & Mark**
- Hold the hanging base against the wall at the desired height.
 - Use a level to ensure it's straight, then mark screw hole positions.
 - Verify no electrical wires/pipes are behind marked spots

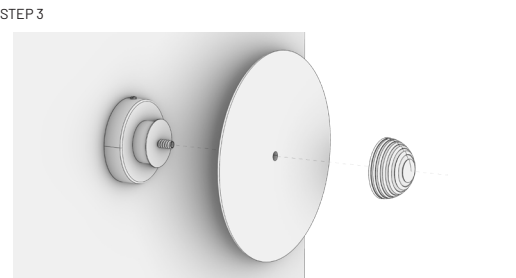
- Drill & Secure**
- Drill holes at marked points using a masonry bit (for concrete/brick) or wood bit (for studs).
 - Insert wall plugs (expansion anchors) if needed.
 - Align the hanging base with holes and fasten using screws. Ensure it's firmly attached

STEP 2



- Connect Wires**
- Important: Confirm power is OFF
 - Feed home wiring through the base's center opening.
 - Secure with wire nuts or terminal blocks. Wrap connections with electrical tape.
 - Tuck wires neatly into the base cavity.

STEP 3



- Attach the Light**
- Align the lamp body with the hanging base.
 - Secure using provided screws or locking mechanism

STEP 4



- Restore Power & Inspect**
- Turn power back on at the breaker.
 - Test the light. Check for flickering, unusual sounds, or heat.
 - If issues occur, immediately turn off power, recheck connections.